

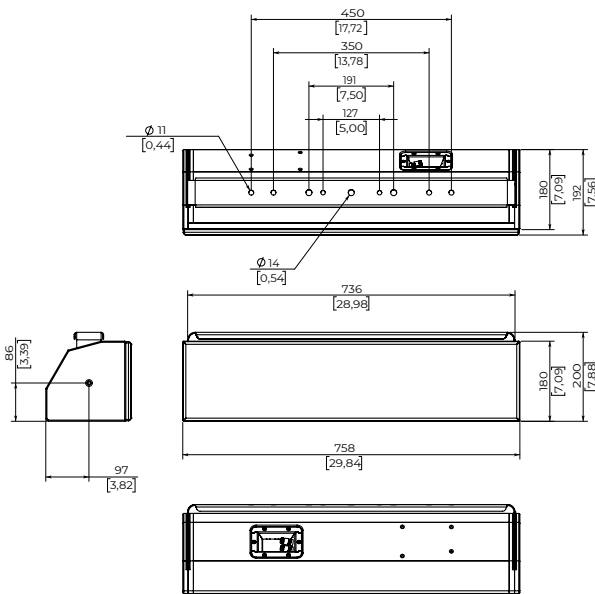
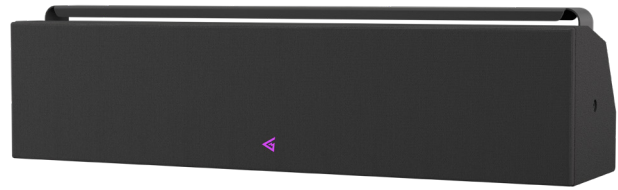
CS66

CEILING LOW PROFILE SURROUND

CS66 is the subcompact surround system designed for the smallest visual footprint inside your home cinema. Based on dual 6" woofers CS66 provides impact and performance rivaling much larger surround systems.

The HF horn with Coverage Control technology distributes the sound evenly across the listening area compensating for the tilted elevated speaker position.

Included mounting bracket provides flexibility in tilt angle for different installation scenarios.



SPECIFICATIONS

Frequency range (-6 dB)	80 Hz – 20 kHz
Max continuous SPL ²	122 dB
Sensitivity (1W/1m half-space) ¹	97 dB
High-frequency driver	0.75" (1.5" voice coil) titanium dome
Low/Mid frequency woofer	2 x 6.5" woofer (1.75" voice coil)
Coverage	-90° to 60° H / -35° to +5° V coverage control HF horn vertical axis tilted 15° down
Nominal impedance	4 Ohm
Power rating ³	300 W
Mounting	Mounting bracket
Connectors	Banana terminals
Dimension (W x H x D)	758 x 192 x 200 mm / 29.84" x 7.56" x 7.88" (w/ grill)
	758 x 180 x 200 mm / 29.84" x 7.09" x 7.88" (w/o grill)
Net weight	11 kg / 24.25 lbs

SAFETY INSTRUCTIONS

1. Keep liquids, direct sunlight, open flames, and heat sources away from the speaker system to prevent damage or failure.
2. Avoid using the system with damaged connectors or cables to prevent electrical shock or fire hazards.
3. Ensure the speaker is securely positioned on a stable surface (floor, stage, or wall).
4. On angled or slippery surfaces, secure the system to prevent movement caused by vibration.
5. Limit exposure to sound levels above 90 dB to prevent potential hearing damage.
6. Use a high-pass filter (HPF) to eliminate low, non-audible frequencies and avoid speaker damage and sound distortion.
7. Do not exceed the input power ratings specified to ensure safe and reliable operation of the speaker system.

¹ - dB SPL, IEC 60268-5 pink noise, 1W / 1m, half- and free- space

² - dB SPL RMS, IEC 60268-5 pink noise, measured on nominal power

³ - 2 hour power test, IEC filtered noise, 6 dB crest factor